



# **ITCM** Isolated Tension Cell Mount Assembly

light- to medium-capacity mount assembly

- Tanks
- Bins
- Hoppers

**RICE LAKE WEIGHING SYSTEMS**

Industrial Solutions on a Global Scale

# ITCM

light- to medium-capacity mount assembly



The ITCM Series Mounting Assembly provides unmatched performance in a variety of light- to medium-capacity vessel weighing applications and mechanical scale conversions. Featuring clevis and unique rod end ball joint assemblies, overall length is reduced to half of traditional S-beam tension mounts, while providing correct load alignment.

In addition, the ITCM completely electrically isolates\* the load cell from stray currents, a major cause of load cell failure. Teflon®-lined rod end ball joints, nylon insulating washers and a grounding strap connecting the two clevis assemblies complete the electronic isolation package. Capacities available range from 100 lb to 20,000 lb.

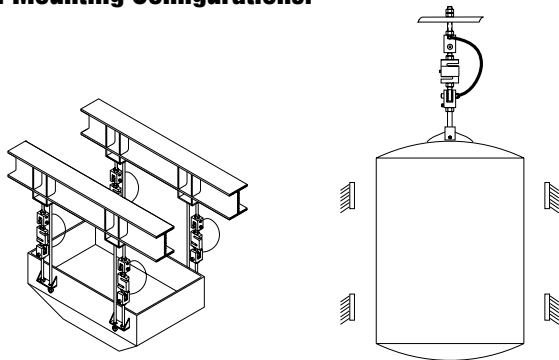
## Standard Features:

- Capacities per assembly: 100 lb-20,000 lb
- NTEP-certified RL20000 S-Beam load cell provides superior accuracy
- Clevis mounts with nylon insulating washers further isolate the load cell electrically
- Teflon®-lined rod end ball joints enhance movement for greater tolerance of eccentric loads\*
- Load cell is completely isolated from stray currents minimizing electrical failures\*
- Grounding strap provides alternative path to ground
- Provides correct loading even in difficult installations
- Lower overall length compared to other hardware assemblies

## Options:

- Complete kit including mounts, load cells, NEMA 4X stainless steel junction box and load cell cable
- Assembly, less load cell
- Stainless steel load cells and hardware
- Stainless steel hermetically-sealed load cells and hardware

## Typical Mounting Configurations:



Multiple Cell

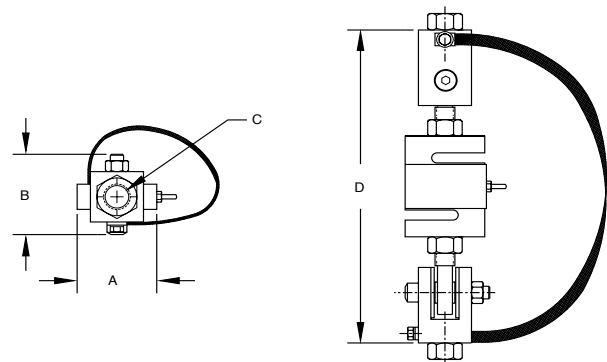
Single Cell

IMPORTANT: Always use safety chains or rods to protect tension-mounted vessels.

\* Teflon® lining and isolation not available on 20,000 lb

Your Rice Lake Weighing Systems distributor is:

## Dimensions/Capacities:



Load Cell Capacity	Dimensions - Inches (mm)			
	A	B	C	D
100 lb (45.4 kg)	2.00 (50.8)	1.81 (46.0)	3/8-16 NC	7.00 (177.8)
100 lb (45.4 kg)	2.00 (50.8)	1.81 (46.0)	1/2-13 NC	7.00 (177.8)
150 lb (68.0 kg)	2.00 (50.8)	1.81 (46.0)	3/8-16 NC	7.00 (177.8)
150 lb (68.0 kg)	2.00 (50.8)	1.81 (46.0)	1/2-13 NC	7.00 (177.8)
200 lb (90.7 kg)	2.00 (50.8)	1.81 (46.0)	3/8-16 NC	7.00 (177.8)
200 lb (90.7 kg)	2.00 (50.8)	1.81 (46.0)	1/2-13 NC	7.00 (177.8)
250 lb (113.4 kg)	2.00 (50.8)	1.81 (46.0)	3/8-16 NC	7.00 (177.8)
250 lb (113.4 kg)	2.00 (50.8)	1.81 (46.0)	1/2-13 NC	7.00 (177.8)
500 lb (226.8 kg)	2.68 (68.1)	2.68 (68.1)	1/2-13 NC	9.50 (241.3)
500 lb (226.8 kg)	2.68 (68.1)	2.68 (68.1)	5/8-11 NC	9.50 (241.3)
500 lb (226.8 kg)	2.68 (68.1)	2.68 (68.1)	3/4-10 NC	9.50 (241.3)
750 lb (340.2 kg)	2.68 (68.1)	2.68 (68.1)	1/2-13 NC	9.50 (241.3)
750 lb (340.2 kg)	2.68 (68.1)	2.68 (68.1)	5/8-11 NC	9.50 (241.3)
750 lb (340.2 kg)	2.68 (68.1)	2.68 (68.1)	3/4-10 NC	9.50 (241.3)
1000 lb (453.6 kg)	2.68 (68.1)	2.68 (68.1)	1/2-13 NC	9.50 (241.3)
1000 lb (453.6 kg)	2.68 (68.1)	2.68 (68.1)	5/8-11 NC	9.50 (241.3)
1000 lb (453.6 kg)	2.68 (68.1)	2.68 (68.1)	3/4-10 NC	9.50 (241.3)
1500 lb (680.4 kg)	2.68 (68.1)	2.68 (68.1)	1/2-13 NC	9.50 (241.3)
1500 lb (680.4 kg)	2.68 (68.1)	2.68 (68.1)	5/8-11 NC	9.50 (241.3)
1500 lb (680.4 kg)	2.68 (68.1)	2.68 (68.1)	3/4-10 NC	9.50 (241.3)
2000 lb (907.2 kg)	2.68 (68.1)	2.68 (68.1)	1/2-13 NC	9.50 (241.3)
2000 lb (907.2 kg)	2.68 (68.1)	2.68 (68.1)	5/8-11 NC	9.50 (241.3)
2000 lb (907.2 kg)	2.68 (68.1)	2.68 (68.1)	3/4-10 NC	9.50 (241.3)
2500 lb (1134.0 kg)	2.68 (68.1)	2.68 (68.1)	5/8-11 NC	9.50 (241.3)
2500 lb (1134.0 kg)	2.68 (68.1)	2.68 (68.1)	3/4-10 NC	9.50 (241.3)
3000 lb (1360.8 kg)	3.37 (85.6)	3.37 (85.6)	3/4-10 NC	12.25 (311.2)
5000 lb (2268.0 kg)	3.37 (85.6)	3.37 (85.6)	3/4-10 NC	12.25 (311.2)
5000 lb (2268.0 kg)	3.37 (85.6)	3.37 (85.6)	1-8 NC	12.25 (311.2)
10,000 lb (4535.9 kg)	3.37 (85.6)	3.37 (85.6)	1-8 NC	12.25 (311.2)
15,000 lb (6803.9 kg)	4.00 (101.6)	4.12 (104.6)	1 1/4-7 NC	18.00 (457.2)
20,000 lb (9071.9 kg)	5.00 (127.0)	4.12 (104.6)	1 1/2-6 NC	20.00 (508.0)

**RICE LAKE WEIGHING SYSTEMS**  
Industrial Solutions on a Global Scale®



230 W. Coleman St. • Rice Lake, WI 54868 • USA  
TEL: 715-234-9171 • FAX: 715-234-6967 • WEB SITE: www.rlws.com

© 2003 Rice Lake Weighing Systems PN 22113 04/03